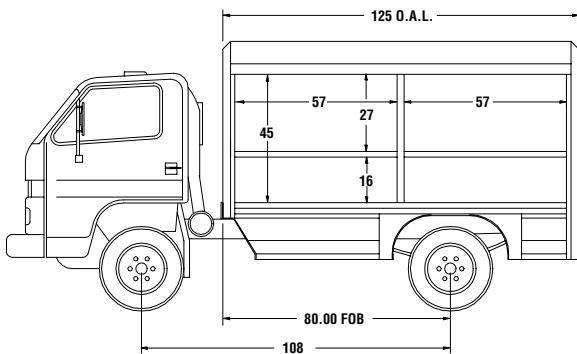


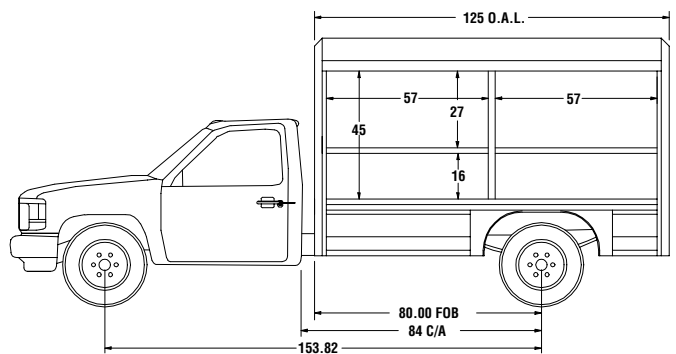
ACDelco "Battery Transport Bodies" by Mickey Truck Bodies Inc

Mickey Truck Bodies is the nation's leading designer and manufacturer of all-aluminum roll-up door bodies for the automotive battery industry. Our bodies are equipped with many standard features designed to enhance their appearance and safety, and prolong their life span for years of worry-free service.

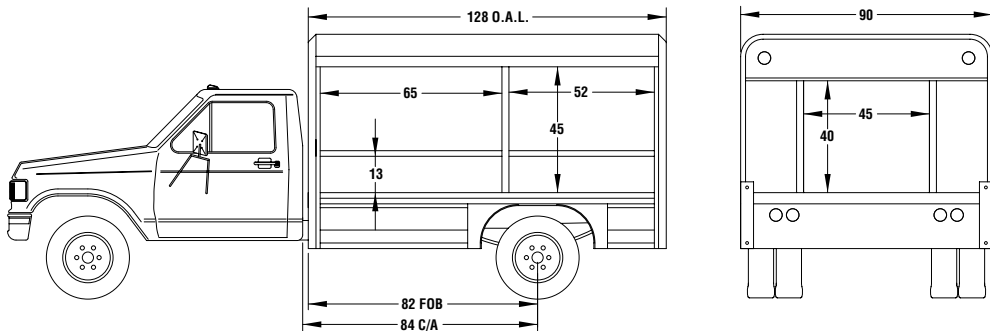
Please review the following standard configurations to determine which unit is best suited for your specific needs. If you don't see the exact model you need, contact us at [1-800-334-9061](tel:1-800-334-9061) so we can custom design and quote to your specific requirements. We have a full-time staff of experienced engineers who will work with you every step of the way.



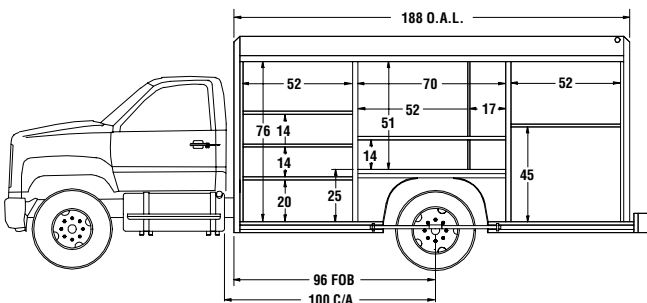
ACDelco 4-bay mini cab-over, Capacity: 160 Batteries*
Access: Side Load, GVW: 13,500 - 15,500



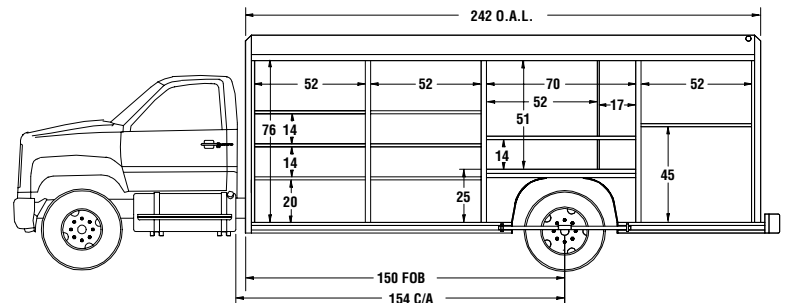
ACDelco 4-bay mini conv., Capacity: 160 Batteries*
Access: Side Load, GVW: 13,500 - 15,500



ACDelco 4-bay "MINI REAR LOADER", Capacity: 164 batteries*
Access: Rear and Side-Load, GVW: 15,000 - 21,000 (also available in cab-over version)



ACDelco 6-bay conv., Capacity: 275 Batteries*
Access: Side Load, GVW: 25,900 - 28,000



ACDelco 8-bay conv., Capacity: 405 Batteries*
Access: Side Load, GVW: 29,000 - 33,000

*All capacities based on average 40-lb. battery weight

ACDelco Battery Body Specifications\Payload (EST.)

Style/Model	Door	Length	Empty Weight	Batteries	Loaded Weight	C/A	GVWR
ACDelco 4-bay mini C/O	57W	124.5"	7,312 lbs	160*	13,712 lbs	84"	13,500-15,500
ACDelco 4-bay mini Conv.	57W	124.5"	7,588 lbs	160*	13,988 lbs	84"	13,500-15,500
ACDelco 4-bay mini R/L	65W/ 52W	128"	7,864 lbs	164*	14,424 lbs	84"	15,000-21,000
ACDelco 6-bay Conv.	52W/ 70W	188"	11,258 lbs	275*	22,258 lbs	102"	25,500-29,000
ACDelco 8-bay Conv.	52W/ 70W	242"	13,249 lbs	405*	29,449 lbs	154"	29,000-33,000

* All capacities based on average 40-lb. battery weight

ACDelco Battery Body Standard Features

- ✓ Computer designed all aluminum construction
- ✓ Machine castings enhance strength and durability
- ✓ Most efficient working profile in the industry
- ✓ Integrated All-Weather Door Loc™ system
- ✓ Adjustable air vents installed in front bulkhead
- ✓ Semstone coating on all bay walls, floors and shelves
- ✓ Plastic bay liners on walls, floors and shelves
- ✓ Reinforced shelves to accommodate batteries
- ✓ One - piece front and rear bulkhead skins
- ✓ Paint and apply decals to ACDelco specifications



Warranty

Mickey Truck Bodies has earned an unshakable reputation for its after-sales service and support, and our customers have the utmost confidence that we will be there for them before, during and after the sale. We stand behind our ACDelco bodies with a rock solid, industry-leading **12-year warranty**.

Parts & Service

Mickey Truck Bodies has long been recognized as the leading supplier of parts in terms of availability and service. We offer a large inventory of stock parts for same-day shipping on all orders received by 2 PM, and all fabricated parts are shipped within one to three working days.

Parts are available from our main manufacturing facility in High Point, NC as well as from any of our regional Reconditioning and Service Centers located throughout the country.

Any part that is received damaged, or is not the exact part ordered, will be replaced and shipped the day of notification at no charge, with no questions asked.



Mickey Reconditioning and Service Centers

Mid-Atlantic
North Carolina
800-334-9061

Northeast
New Jersey
800-938-5181

Southeast
Florida
800-276-5891

Midwest
Illinois
800-791-6965

Southwest
Texas
877-664-2539